

RHINO **SWINGER BIN**

Offers a safe and secure way to deal with trash indoor or outdoor. Our Swinger bins are designed with the push flap lid that helps keep out bees, flies and animals which makes it a much safer container. Made resilient from high-quality materials and rotationally molded to ensure longevity.



**5 YEAR
GUARANTEE**

Distributed by DFL Importers ■ 876-618-0335 ■ rhinowastesolutions.com
71 Molyne Road, Kingston 10, Jamaica W.I.



Cover

30 gallon:
Length: 16"
Width: 20"
Height: 13"

45 gallon:
Length: 19"
Width: 23"
Height: 13"

Body

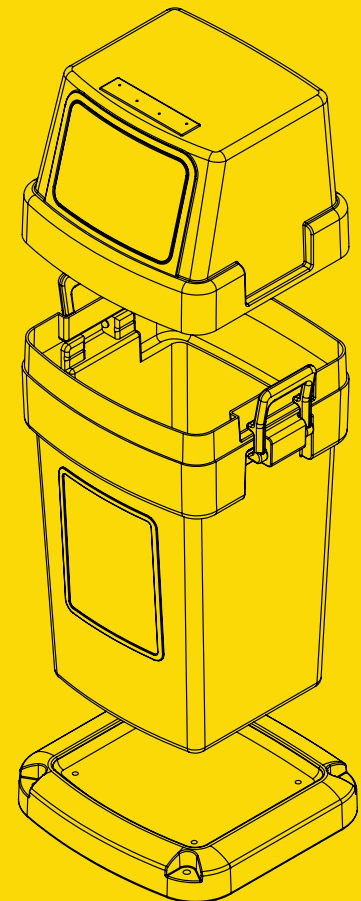
30 gallon:
Length: 16"
Width: 23"
Height: 30"

45 gallon:
Length: 19"
Width: 26"
Height: 34"






Base

30 gallon:
Length: 18"
Width: 21"
Height: 3"

45 gallon:
Length: 20"
Width: 24"
Height: 3"



- **Available in:**
 - 30 Gal (114 liters)
 - 45 Gal (170 liters)
- **Durable:** Can withstand adverse weather conditions. Rhino® Bins offer a low maintenance service life and are corrosion, rust and chip resistant
- **Long Lifespan:** Commercial-grade construction plus UV protection extend the life of the container and enables use both indoors and outdoors
- **Commercial or Residential Use:** its sleek design is ideal for both indoor and outdoor
- **Push Flap Lid:** Swings easily, smoothly and firmly, ensuring bin contents are properly concealed
- **Stackable Design:** To maximize space when shipping
- **Locking Handles:** Heavy-duty handles for easy mobility also locks the lid firmly into position
- **Optional Secure Base:** (bolts not included) can be bolted to the ground minimizing theft, vandalism and movement during heavy winds
- **Ideal Garbage Bags Size:**
 - 30 Gal (33"x37")
 - 45 Gal (38"x46")
- **Available Colours:**
 - Granite Blue
 - Granite Red
 - Granite Green
 - Granite Grey

 5 YEAR Guarantee	 100% Recyclable	 UV Resistant	 Rotationally Molded	 Linear Low-Density Polyethylene
---	--	---	--	--